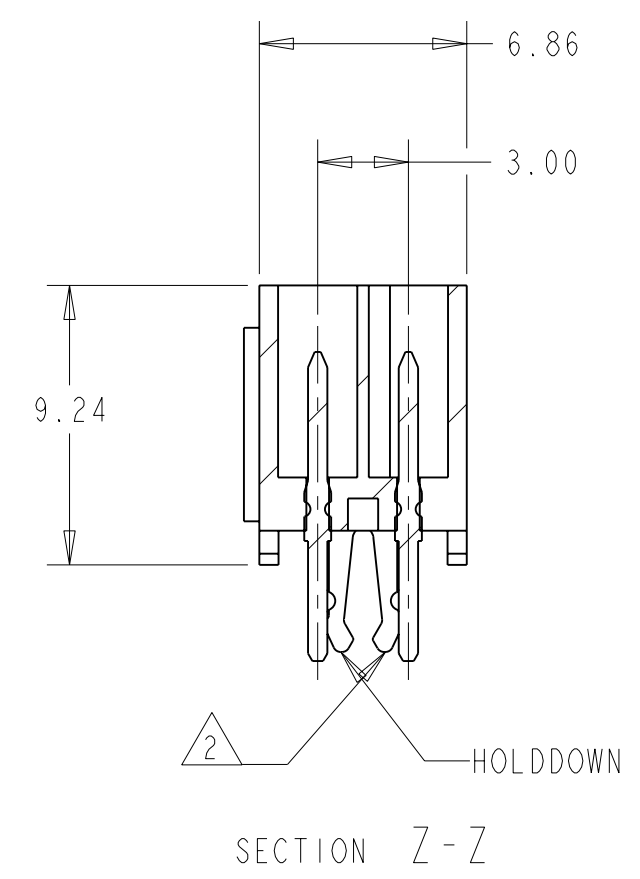
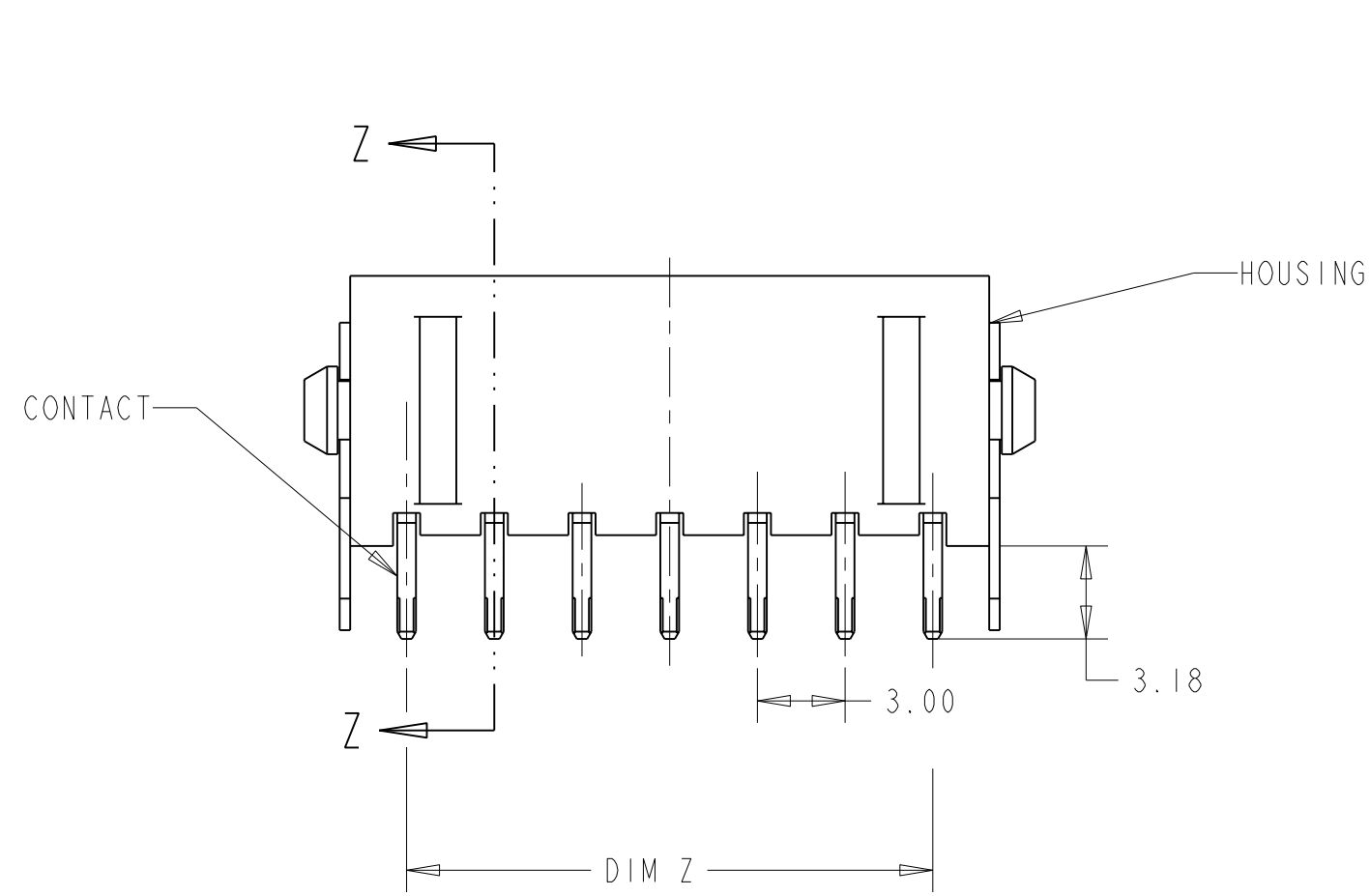
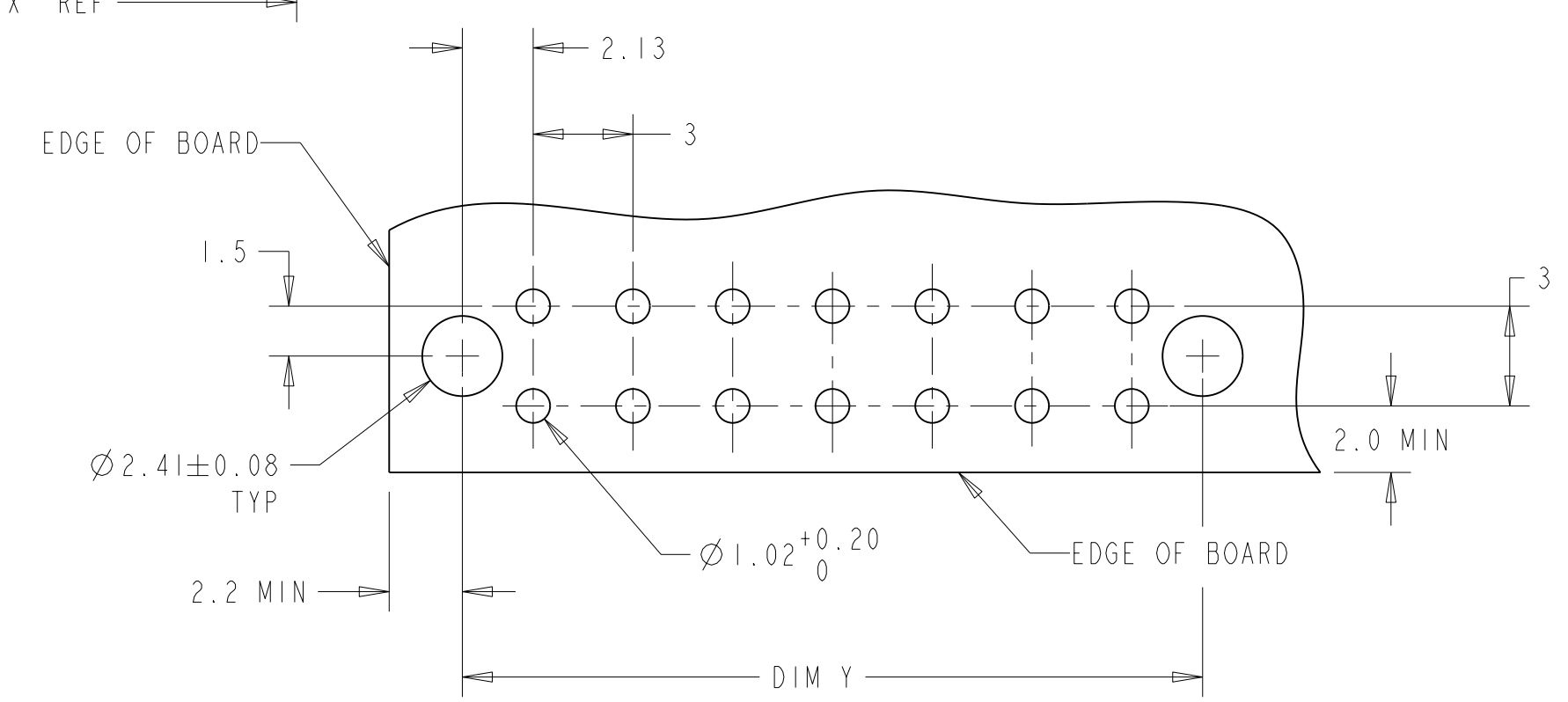
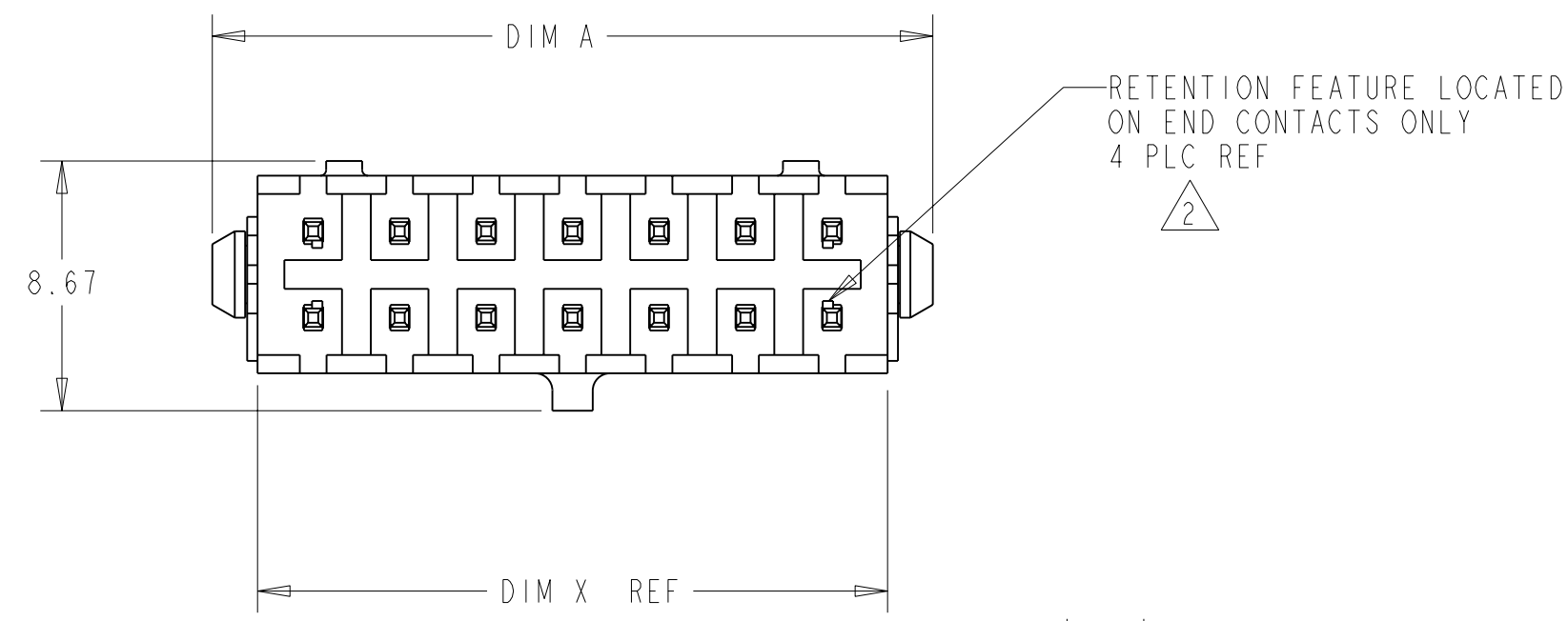


THIS DRAWING IS UNPUBLISHED. RELEASED FOR PUBLICATION  
 © COPYRIGHT 20 BY TYCO ELECTRONICS CORPORATION. ALL RIGHTS RESERVED.

LOC		DIST		REVISIONS			
P	LTR	DESCRIPTION	DATE	DWN	APVD		
CM	00	E	REVISED PER 0G3B-0207-05	23-MAR-2005	SH	CJ	



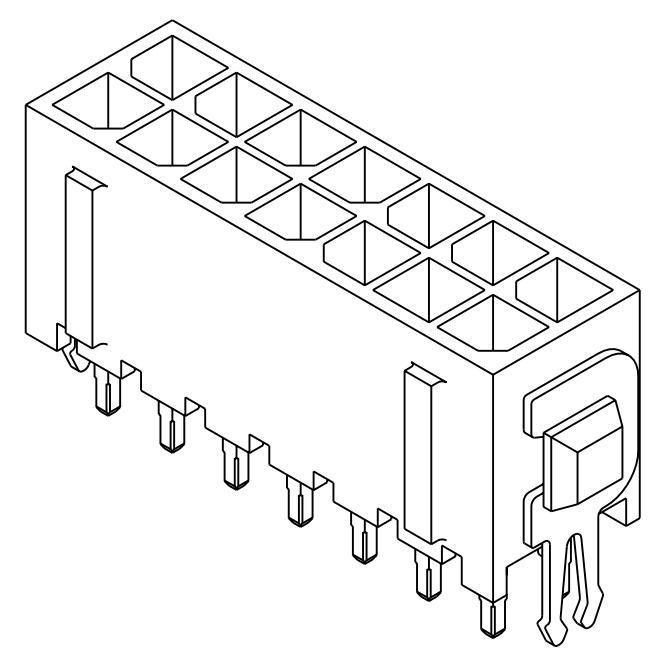
- 1 MATERIAL: HOUSING - HIGH TEMP. NYLON, UL 94V-0, BLACK.  
CONTACT - BRASS.  
HOLD DOWNS- PHOSPHOR BRONZE.
- 2 MAXIMUM INSERTION 30 LBS.
- 3 RECOMMENDED BOARD THICKNESS 1.57.
- 4 FINISH: CONTACT-2.54µm MINIMUM TIN-LEAD OVER  
1.27µm MINIMUM NICKEL.  
HOLD DOWNS-2.54µm TIN-LEAD
- 5 FINISH: CONTACT - 2.54µm MINIMUM MATTE TIN  
OVER 1.27µm MINIMUM NICKEL.  
HOLD DOWNS- 2.54µm MATTE TIN



RECOMMENDED MOUNTING HOLE PATTERN  
SCALE 5:1

METRIC

FINISH	DIM A	DIM Z	DIM Y	DIM X	NO. OF POSN.	ASSEMBLY
5	40.00	33.00	37.30	36.86	24	5-794680-4
5	37.00	30.00	34.30	33.86	22	5-794680-2
5	34.00	27.00	31.30	30.86	20	5-794680-0
5	31.00	24.00	28.30	27.86	18	4-794680-8
5	28.00	21.00	25.30	24.86	16	4-794680-6
5	25.00	18.00	22.30	21.86	14	4-794680-4
5	22.00	15.00	19.30	18.86	12	4-794680-2
5	19.00	12.00	16.30	15.86	10	4-794680-0
5	16.00	9.00	13.30	12.86	8	3-794680-8
5	13.00	6.00	10.30	9.86	6	3-794680-6
5	10.00	3.00	7.30	6.86	4	3-794680-4
5	7.00	-	4.30	3.86	2	3-794680-2
4	40.00	33.00	37.30	36.86	24	2-794680-4
4	37.00	30.00	34.30	33.86	22	2-794680-2
4	34.00	27.00	31.30	30.86	20	2-794680-0
4	31.00	24.00	28.30	27.86	18	1-794680-8
4	28.00	21.00	25.30	24.86	16	1-794680-6
4	25.00	18.00	22.30	21.86	14	1-794680-4
4	22.00	15.00	19.30	18.86	12	1-794680-2
4	19.00	12.00	16.30	15.86	10	1-794680-0
4	16.00	9.00	13.30	12.86	8	794680-8
4	13.00	6.00	10.30	9.86	6	794680-6
4	10.00	3.00	7.30	6.86	4	794680-4
4	7.00	-	4.30	3.86	2	794680-2



THIS DRAWING IS A CONTROLLED DOCUMENT FOR TYCO ELECTRONICS CORPORATION. IT IS SUBJECT TO CHANGE AND THE CONTROLLING ENGINEERING ORGANIZATION SHOULD BE CONTACTED FOR THE LATEST REVISION.

DIMENSIONS: mm [INCHES]	TOLERANCES UNLESS OTHERWISE SPECIFIED: 0 PLC ± 1 PLC ± 2 PLC ±0.13 (.005) 3 PLC ± 4 PLC ± ANGLES ±	DWN S. HOOVER 23-MAR-2005 CHK C. JONES 23-MAR-2005 APVD C. JONES 23-MAR-2005	tyco Electronics Tyco Electronics Harrisburg, PA 17105-3608
MATERIAL 1	FINISH SEE TABLE	PRODUCT SPEC APPLICATION SPEC WEIGHT CUSTOMER DRAWING	NAME VERTICAL HEADER ASSEMBLY, THRU HOLE, TIN, DUAL ROW, MICRO MATE-N-LOK(TM) SIZE A2 CAGE CODE 00779 DRAWING NO. C=794680 RESTRICTED TO

SCALE 5:1 SHEET 1 OF 1 REV E